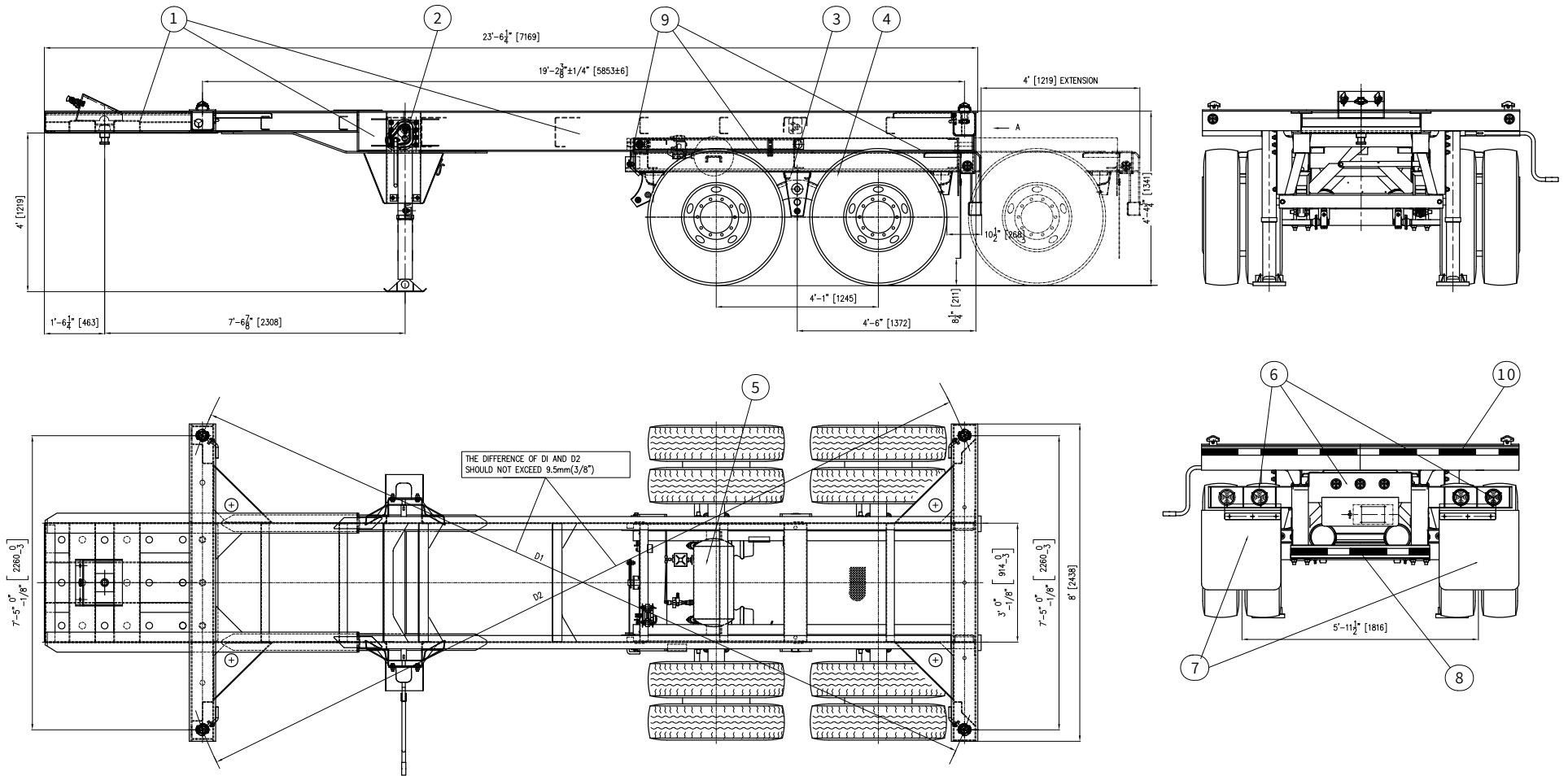


# 23.5' Slider Specifications (typical configuration)



Item	Description	Qty.
1	Main Frame	1
2	Landing Gear Assembly	1
3	Suspension Assembly	1
4	Wheel Assembly	8
5	Brake Control System	1

Item	Description	Qty.
6	Lights/Electrical System	1
7	Mud Flaps	2
8	Rear Bumper Assembly	1
9	Slider Assembly	1
10	Reflective Marking	1

# 23.5' Slider Specifications *(typical configuration)*

Function	
Carries one (1) 20' ISO container. Meets all TOFC, AAR, DOT, FMVSS, ISO, ANSI, SAE, and TTMA specifications	
General	
<b>Overall Length</b>	23' 6"/27' 6" (excluding rear bumper)
<b>Overall Width</b>	96"
<b>Fifth Wheel Height</b>	48"±1"
<b>Rear Deck Height</b>	52"±1"
<b>Kingpin Location</b>	18" (from front end of chassis)
<b>Axle Spread</b>	49"
<b>Tandem Location</b>	54" (from rear face of rear bolster)
<b>Tare Weight</b>	6,700 Lbs (±2%)
Steel Structure & Components	
<b>Material</b>	High-strength GR50 steel
<b>Crossmember</b>	Fabricated channel
<b>Slider</b>	Tubular with positive safety solid bar stop. Two spring loaded pins lock the slider frame to main frame in retracted or extended location
<b>Upper Coupler</b>	1/4" thick w/ 2" diameter drain holes, reinforced by channel-type kingpin support. 2" AAR certificated kingpin
<b>Suspension</b>	Mechanism suspension with three leaf spring
<b>Axles</b>	5" round axles with 22,500 lb capacity, 71-1/2" track, 16-1/2" x 7" Q Brake
<b>Electrical</b>	12 volt lighting system with modular wiring harness
<b>Miscellaneous</b>	Standard marking, Conspicuity tape, Document holder, 24" X 24" rubber mud flap

**Please note:** These specifications are typical of DCLI's fleet and not for any specific chassis. If you need exact specifications for a particular piece of equipment, please contact [chassispecs@dcli.com](mailto:chassispecs@dcli.com).