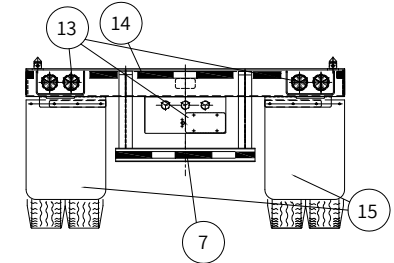
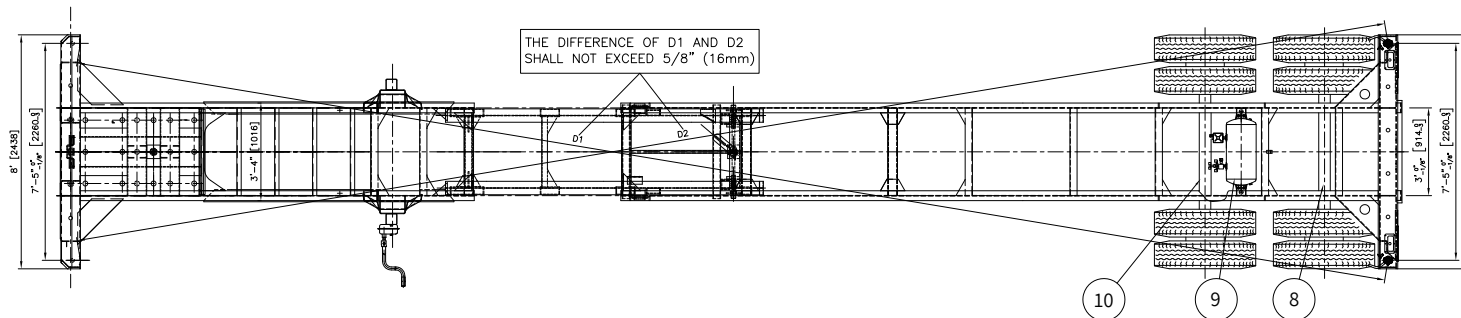
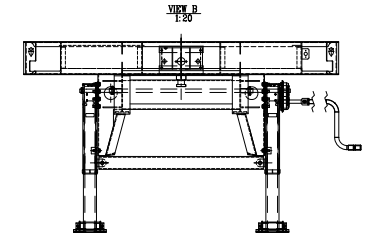
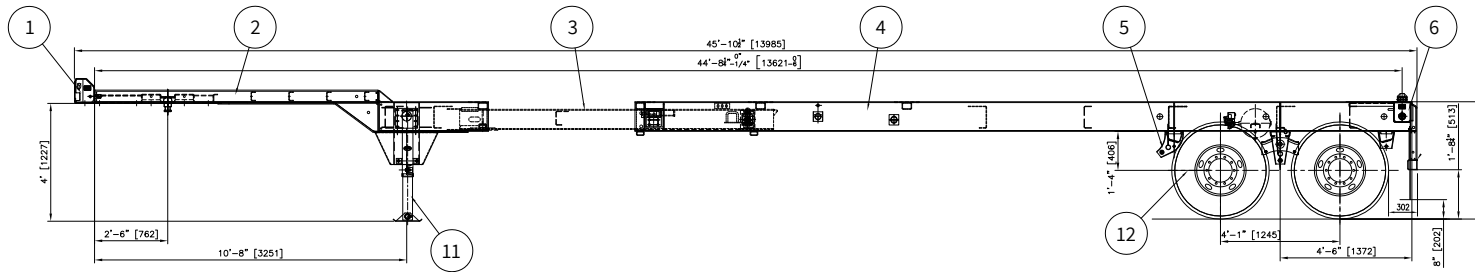


# 40'/45' Extendable Specifications (typical configuration)



Item	Description	Qty.
1	Front Bolster	1
2	Gooseneck Beam Assembly	1
3	Extension Beam	1
4	Main Beam Assembly	1
5	Suspension Assembly	1
6	Rear Bolster	1
7	Rear Bumper Assembly	2
8	Axle	1

Item	Description	Qty.
9	Air System	1
10	Anti-lock Braking System	1
11	Landing Gear Assembly	1
12	Wheel Assembly	8
13	Lights/Electrical System	1
14	Reflective Marking	1
15	Mud Flaps	2

# 40'/45' Extendable Specifications *(typical configuration)*

Function	
Carries one (1) 40' or one (1) 45' ISO container. Meets all TOFC, AAR, DOT, FMVSS, ISO, ANSI, SAE, and TTMA specifications	
General	
<b>Overall Length</b>	40' 8" (closed position, excluding rear bumper) 45' 8" (open position, excluding rear bumper)
<b>Overall Width</b>	96"
<b>Fifth Wheel Height</b>	48" ±1"
<b>Rear Deck Height</b>	48" ±1"
<b>Kingpin Location</b>	30" (from rear face of front bolster)
<b>Axle Spread</b>	49" (from rear face of rear bolster)
<b>Tandem Location</b>	54" (from rear face of rear bolster)
<b>Tare Weight</b>	7,300 Lbs (±2%)
Steel Structure & Components	
<b>Material</b>	High-strength GR50 steel
<b>Crossmember</b>	3/16" x 3" wide x 9" deep channel
<b>Rear Bolster</b>	8" wide x 3/8" thick top plate with 6-7/8" wide x 1/4" thick "U" channel
<b>Suspension</b>	Mechanism suspension
<b>Axles</b>	5" round axles with 22,500 lb capacity, 71-1/2" track, 16-1/2" x 7" Q Brake
<b>Electrical</b>	12 volt
<b>Miscellaneous</b>	Standard marking, Conspicuity tape, Document holder, 24" X 30" rubber mud flap

**Please note:** These specifications are typical of DCLI's fleet and not for any specific chassis. If you need exact specifications for a particular piece of equipment, please contact [chassispecs@dcli.com](mailto:chassispecs@dcli.com).