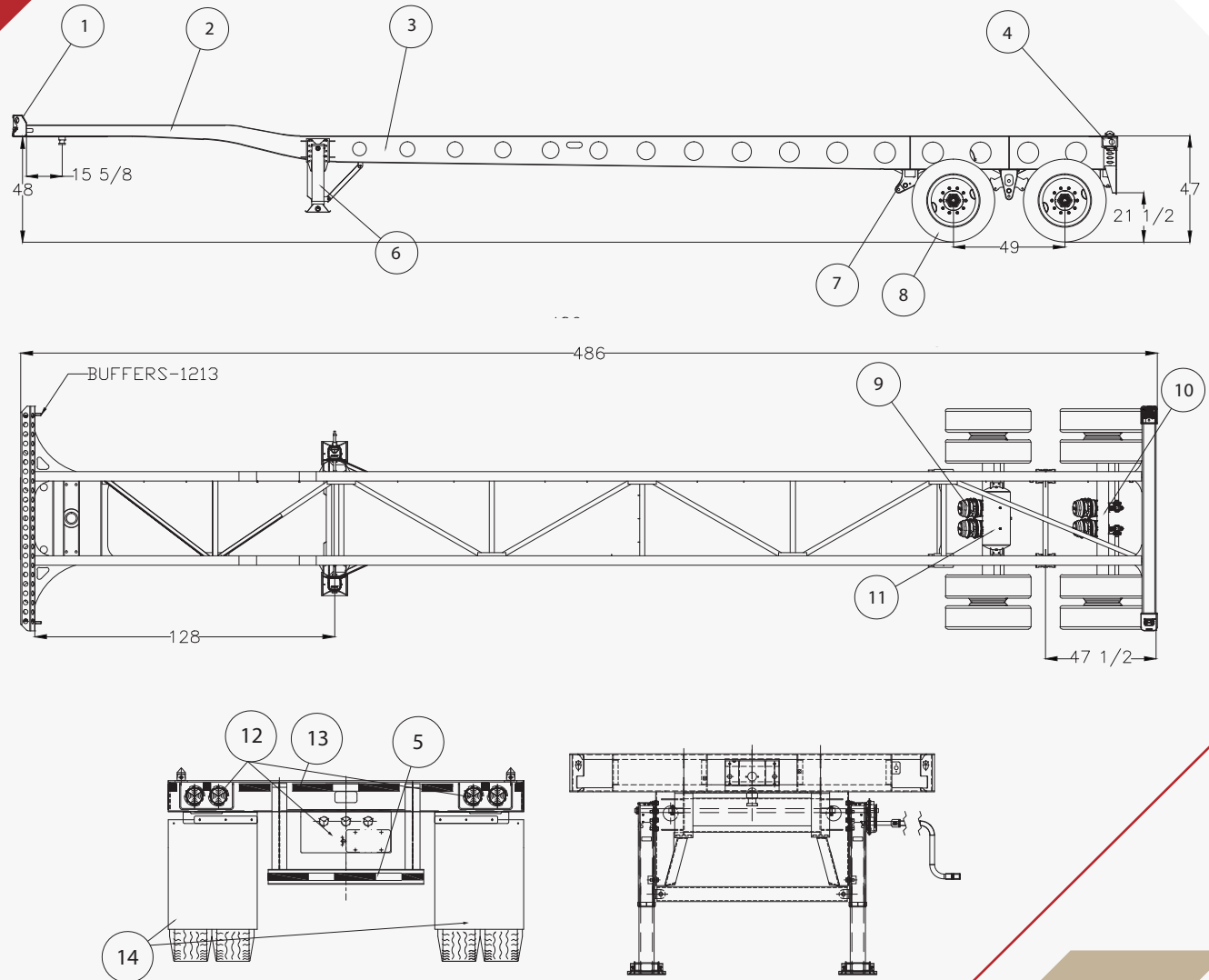


40-FOOT LIGHTWEIGHT Specs

Typical Configuration

Item	Description	Qty.
1	Front Bolster	1
2	Upper Coupling	1
3	Main Frame	1
4	Rear Bolster	1
5	Rear Bumper Assembly	1
6	Landing Gear Assembly	1
7	Suspension Assembly	1
8	Wheel Assembly	8
9	Anti-lock Bracking System	1
10	Axle	1
11	Air System	1
12	Lights/Electrical System	1
13	Reflective Marking	1
14	Mud Flaps	2



For more information, visit DCLI.com

40-FOOT LIGHTWEIGHT Specs

Typical Configuration



Function

Carries one (1) 40' or one (1) 45' ISO or HI Cube Container
Meets all TOFC, AAR, DOT, FMVSS, ISO, ANSI, SAE, and TTMA specifications

General

Overall Length	41'
Overall Width	96"
Fifth Wheel Height	48"
Rear Deck Height	47"
Landing Gear Location	125"
Axle Spread	49" (tandem)
Tare Weight	5,090 lbs. (+/-3%)

Steel Structure & Components

Material	Main rails are structural I-Beam; all others are of ASTM A572 Grade 50
Main Beams	14 ¾" x 13 ½" deep fabricated I-Beam with 130,000 psi yield steel continuous flanges
King Pin	¼" pick up plate with 2" diameter king pin
Landing Gear	Two-speed gears, 17" travel
Hubs & Drums	Aluminum hub and centrifuge drum assembly, 10-hole hub piloted
Brakes	16 ½" x 7" quick-change brakes with non-asbestos lining
Rims	(8) Aluminum 8.25" x 22.5 10-hole tubeless type
Tires	(8) 255/75R22.5 radial tires 16 ply
Brake System	Valve system for service and emergency brakes. 2S/1M ABS system
Paint	Urethane topcoat
Crossmember	I-Beam cross members
Suspension	Overslung tandem 49" spread w/ undermount fabricated hangers
Axles	71 ½" track w/ long cams, 5" round, 22, 500 lbs. each rated w/ PSI ATIS
Electrical	12-volt w/ modular wiring and plug type connectors and 7-way pin electrical plug for ABS system; sealed wire harnesses; sealed grommets and lights

For more information, visit [DCLI.com](https://www.dcli.com)

Please note: These specifications are typical of DCLI's fleet and not for any specific chassis. If you need exact specifications for a particular piece of equipment, please contact chassispecs@dcli.com.